

XL RACK GUARDS

- Reduce forklift related rack damage
- Improve workplace safety
- Quick & easy installation
- Fits all major pallet racking systems from 70mm - 90mm wide
- Allows for rapid rack inspections
- Inexpensive purchase, installation & replacement costs
- Tested to international racking standards
- Trusted by industry leaders for 15 years
- Suitable for cold stores.

PROTECT-IT
RACK & COLUMN PROTECTION



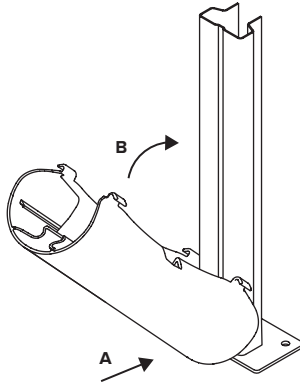
Discover our full range of safety products

WWW.PROTECT-IT.COM.AU

XL INSTALLATION

STEP 1

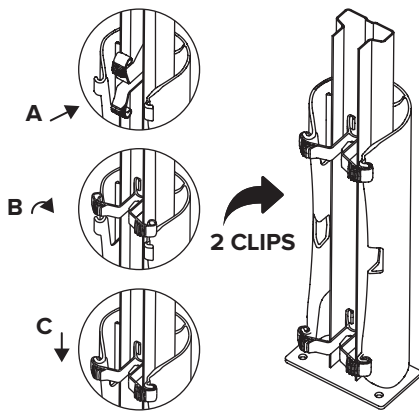
Slip base of guard onto upright (A) then pivot top of guard into place (B).



STEP 2

Using standard clips for open-back uprights

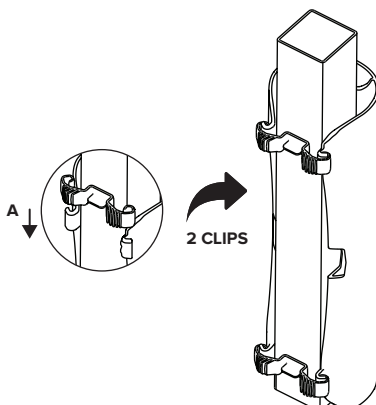
Insert first clip into the back of the post (A). Turn the clip 90° (B) and slide the clip over the hooks on the guard (C). Repeat process for second clip.



STEP 2

Using closed-tube clips for tubular uprights

Slide clip over the hooks on the guard (A). Repeat process for second clip.



XL ORDERING

Guard Kits (ready to fit)

Code	Product
600-000	3XL guard kit for open-back uprights. <i>Includes 1 rack guard (yellow) with 2 standard clips (black).</i>
600-050	3XL guard kit for closed-back tubular uprights. <i>Includes 1 rack guard (yellow) and 2 closed-tube clips (black).</i>

Individual Components / Spare Parts

Code	Product
600-100a	3XL rack guard only. Includes 1 rack guard (yellow) without clips.
400-004	Standard 3XL clip. Includes 1 clip (black) to suit open-back uprights.
400-005	Closed-tube 3XL clip. Includes 1 clip (black) to suit closed-back tubular uprights.

For more information visit our website

WWW.PROTECT-IT.COM.AU